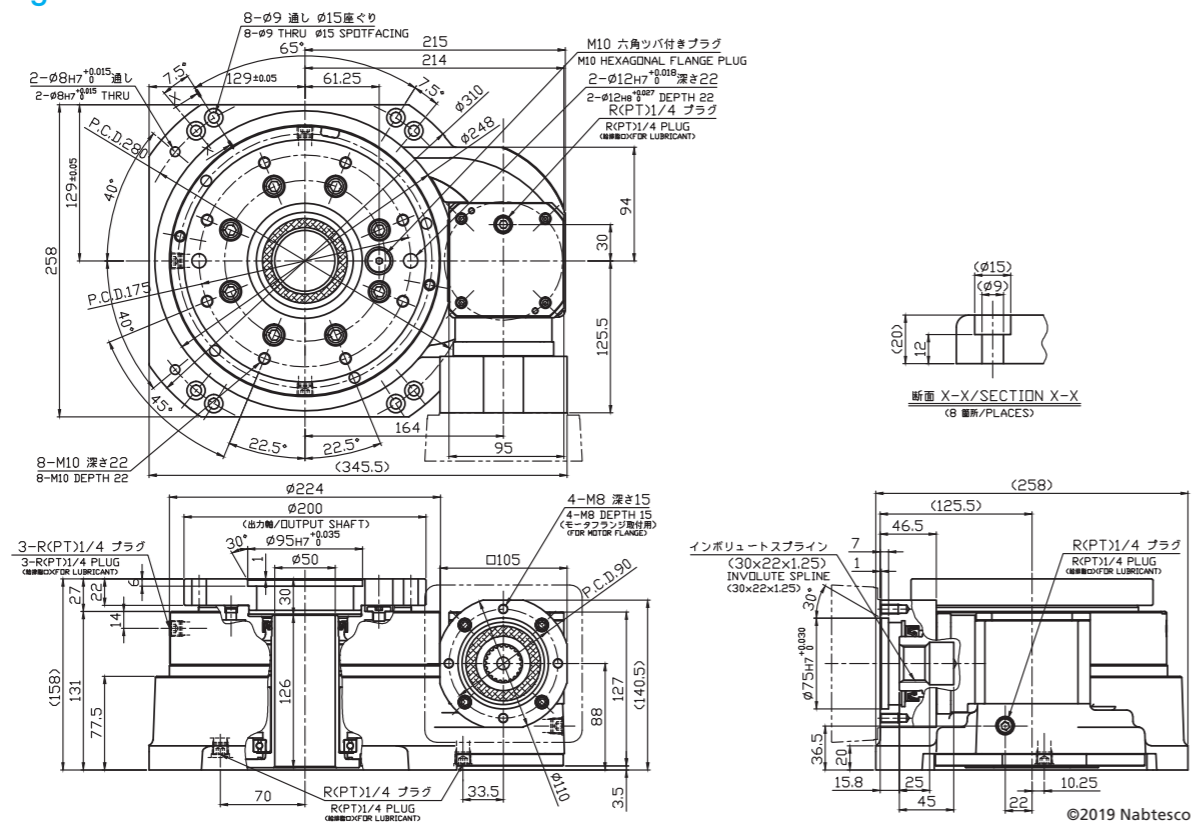
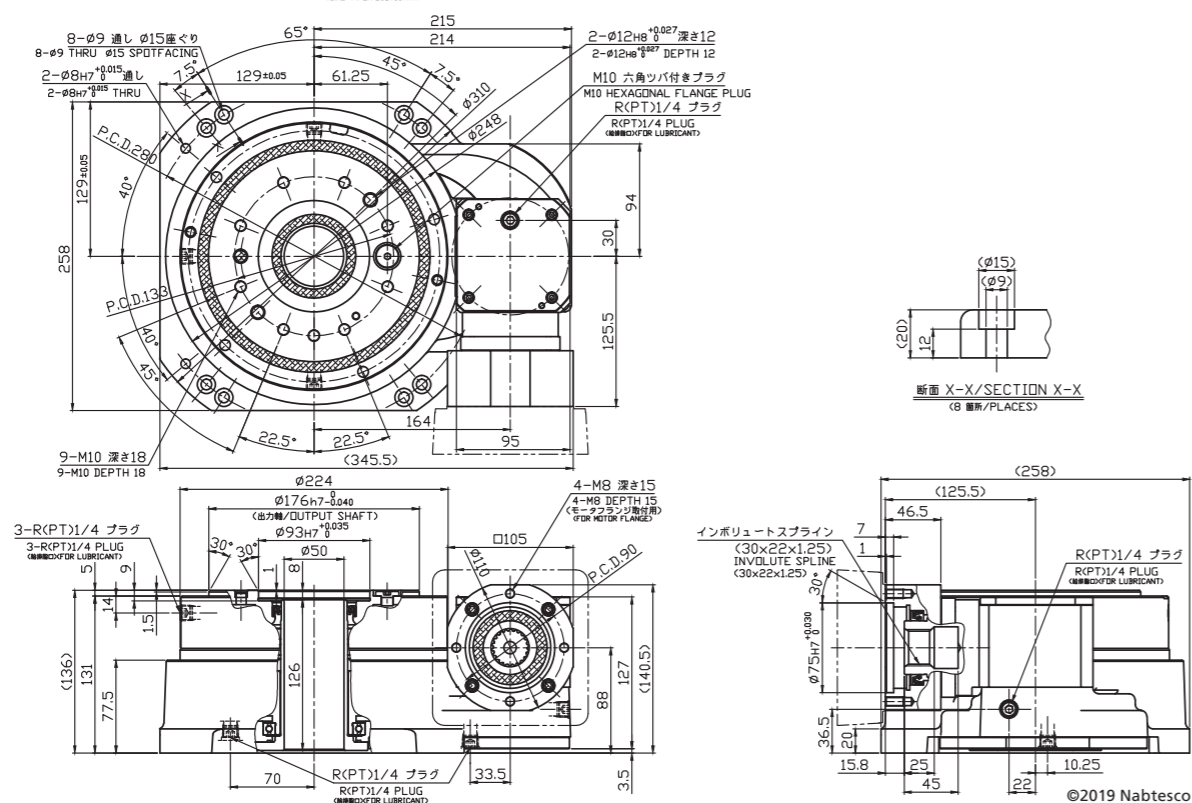


Outline Drawing

RS-50A
With
output flange



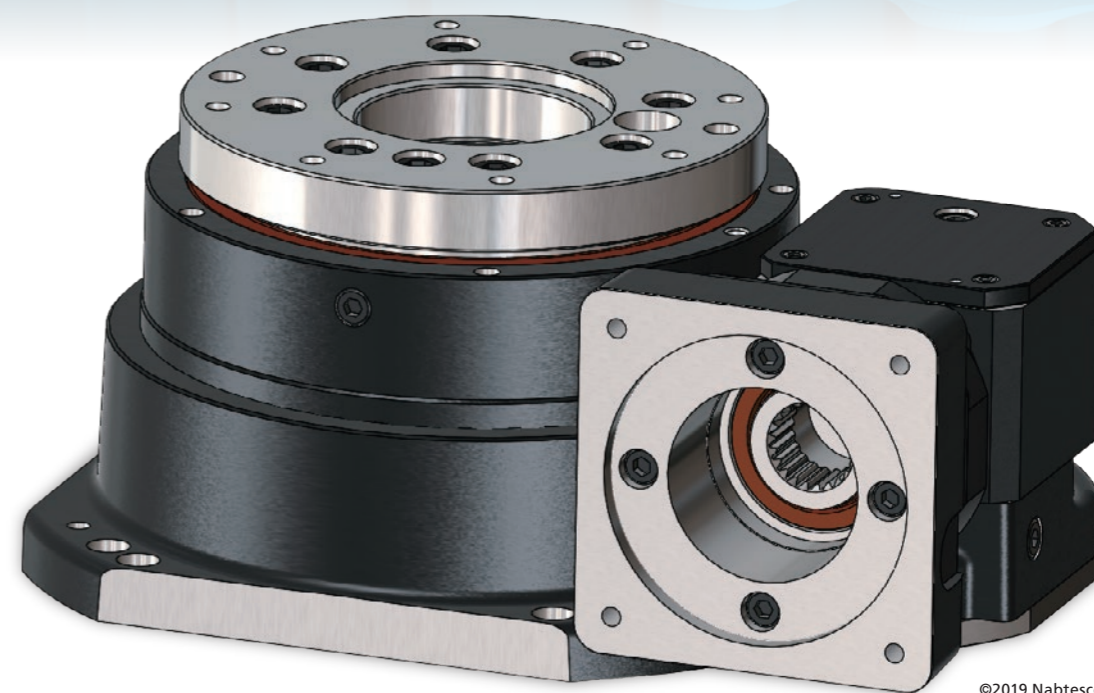
RS-50B
Without
output flange



Precision Reduction Gear RV™

Turntable Gearhead

RS-50A/B



©2019 Nabtesco

The newest addition to the RS series,
perfectly suited for index tables :
RS-50A, capable of high speed rotation,
and with a max allowable load of 1,500 kg

Nabtesco
Nabtesco Corporation

<https://precision.nabtesco.com/>



- Nabtesco and RV are registered trademarks or trademarks of Nabtesco Corporation.
- Specifications are subject to change without notice.
- Unauthorized reprinting, reproduction, copying, or translation of this catalog in whole or in part is strictly prohibited.

©2019 Nabtesco Corporation All rights reserved

CAT.190401-Rev.003 (Issued on March 1, 2022)

Europe and Africa

Nabtesco Precision Europe GmbH (Düsseldorf, Germany)
TEL: +49-211-173790 FAX: +49-211-364677 E-MAIL: info@nabtesco.de

North and South America

Nabtesco Motion Control Inc. (MI, USA)
TEL: +1-248-553-3020 FAX: +1-248-553-3070 E-MAIL: engineer@nabtescomotioncontrol.com

India

Nabtesco India Private Limited (Bangalore, India)
TEL: +91-80-4123-4901 FAX: +91-80-4123-4903 E-MAIL: Nti_pn@nabtesco.co.in

Asia and others

Nabtesco Corporation (Japan)
Nagoya Sales Office
TEL: +81-52-582-2981 FAX: +81-52-582-2987

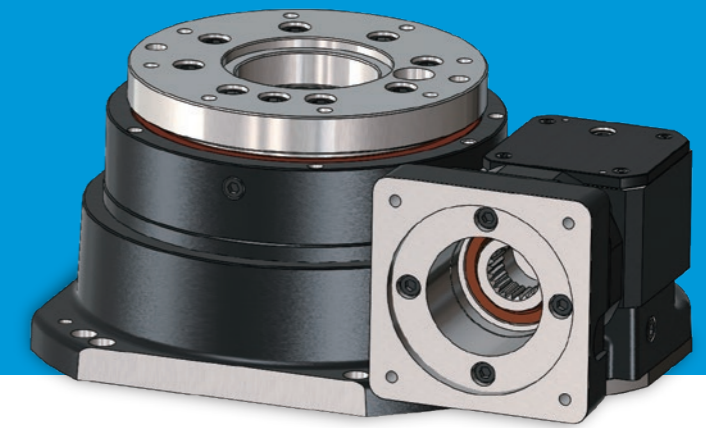
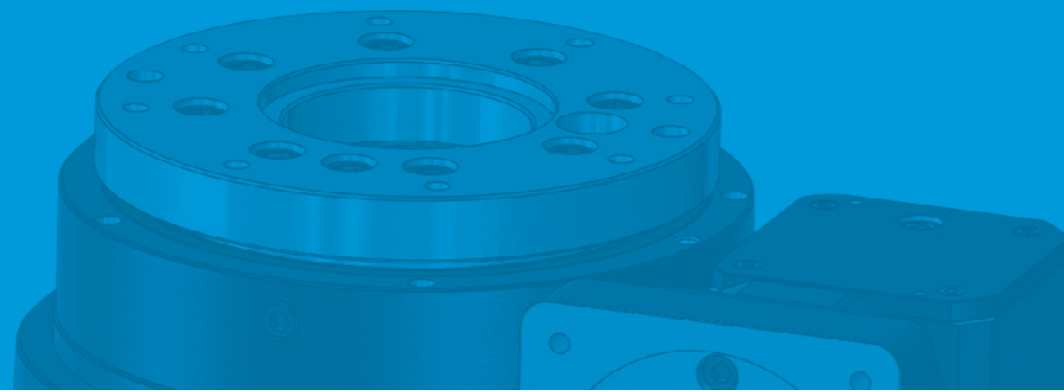
Customer Support Center
TEL: +81-59-237-4672 FAX: +81-59-237-4697

E-MAIL: P_Information@nabtesco.com



Nabtesco

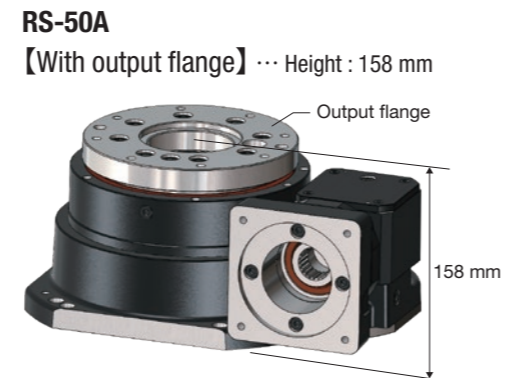
RS-50A/B



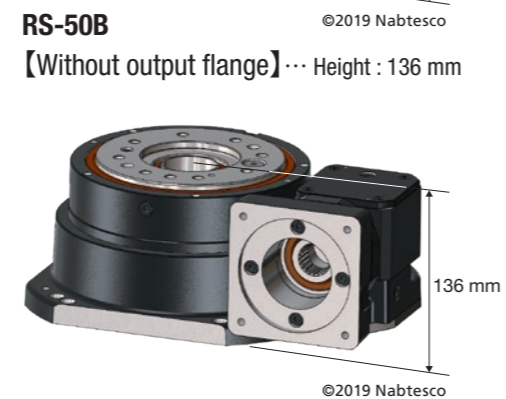
©2019 Nabtesco

Features

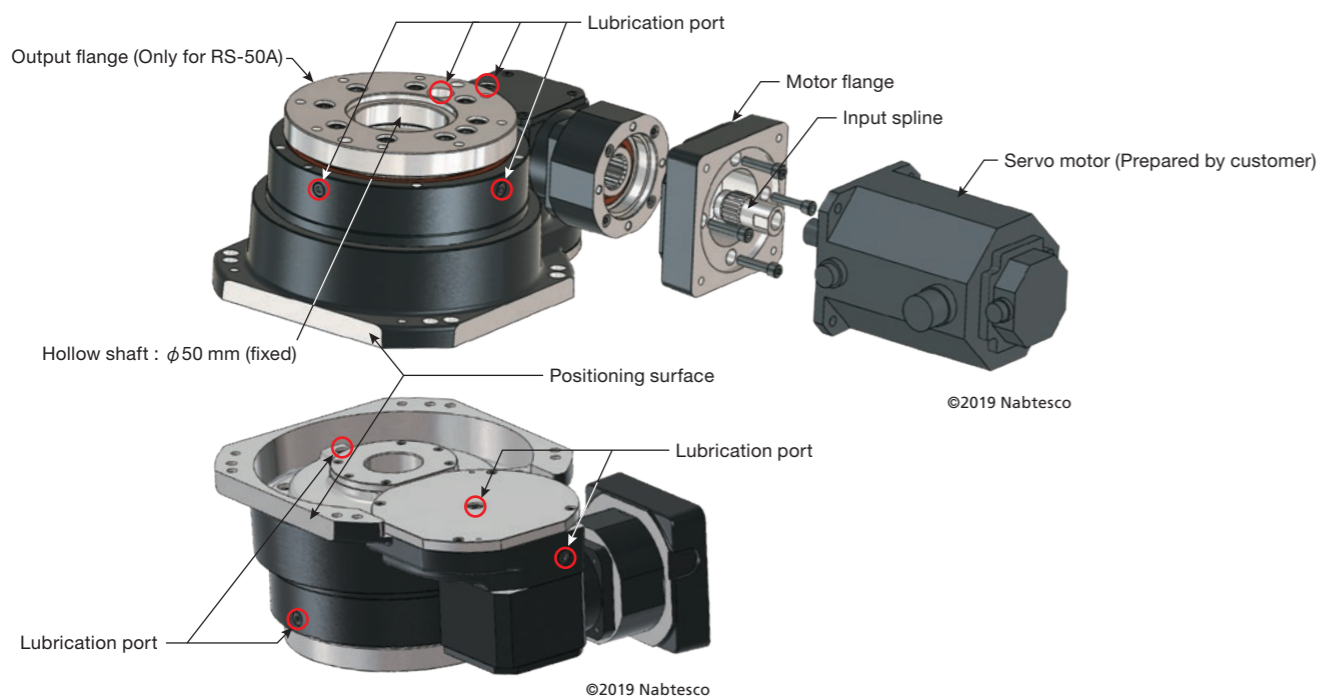
- A gearhead utilizing the industrial robot industry-proven Precision Reduction Gear RV™**
 High accuracy, rigidity, and reliability
- Shorten cycle times with high speed rotation**
 High speed indexing (180° in 0.7 sec, with 10 kgm² moment of inertia)
- Compact size reduces total height of machine**
 Distance from base to output flange : 136 mm
- Hollow shaft for wiring**
 φ50mm hollow shaft diameter
- Compatible with all major servo motors**
 Support for different manufacturers mounting pattern and shaft shape
 * Please contact a sales person for compatible servo motors.
- 2 models available: with or without output flange**
 Selectable in accordance with the customer's equipment
- Pre-lubricated**
 Sealed and filled with optimal amount of oil (RV GREASE LB00), allowing for easy installation and set-up
- Easy oil changing**
 Ports located on all faces



©2019 Nabtesco



©2019 Nabtesco

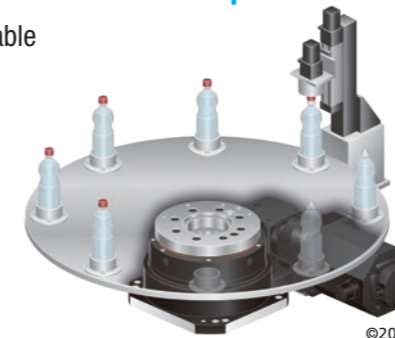


©2019 Nabtesco

©2019 Nabtesco

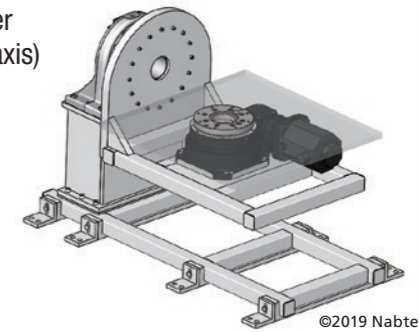
Application Examples

Index table



©2019 Nabtesco

Positioner
 (Rotary axis)



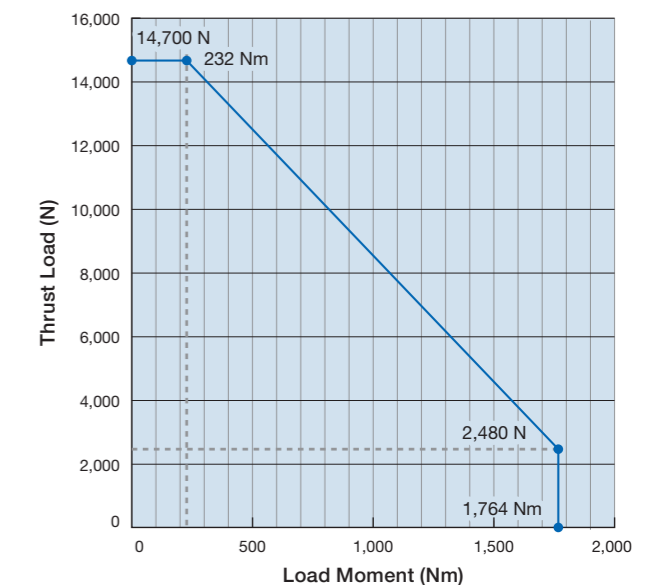
©2019 Nabtesco

Specification Table

Model	RS-50A/B
Maximum allowable load	1,500 kg
Hollow shaft diameter	φ50 mm
Rated torque	490 Nm
Allowable startup/stop torque	1,225 Nm
Momentary maximum allowable torque	2,450 Nm
Rated output speed	15 rpm
Allowable output speed*1	60 rpm
Allowable moment	1,764 Nm
Momentary maximum allowable moment	3,528 Nm
Positioning accuracy*3	60 arc.sec.
Repeatability (Reference value)	±5 arc.sec.
	Dia. 500 mm
	±0.012 mm
Reduction ratio	65.4 , 130.8 , 163.5
Operation range (rotation)	Endless*2
Weight (Not including motor flange and input spline)	40 kg

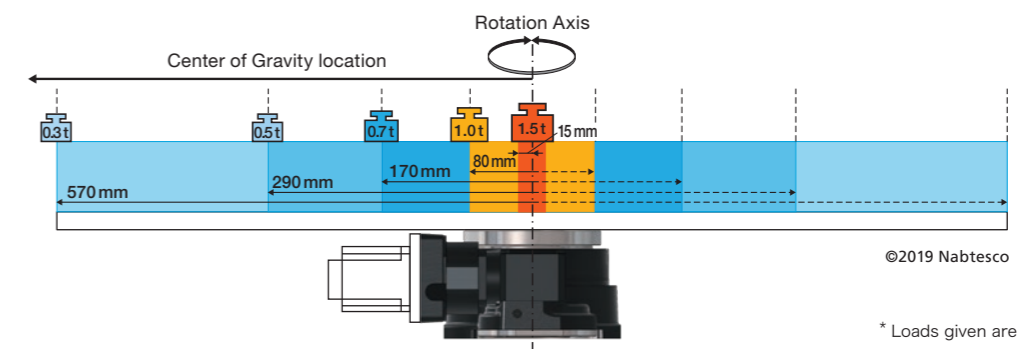
- *1 The allowable output speed may be limited by operating rate.
 Make sure the surface temperature of the reudction gear does not exceed 60°C during use.
- *2 The operation range may be limited by the motor.
- *3 The measurement system complies with JIS B 6192.

Allowable Moment Diagram



*In an application subject to both a load force and a moment load at the same time, please make sure to use the product within the allowable moment range listed in the diagram above.

Center of Gravity Height and Allowable Load



©2019 Nabtesco

* Loads given are reference values.